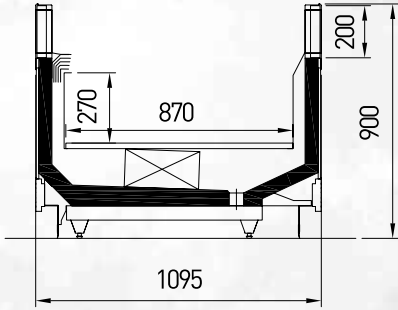
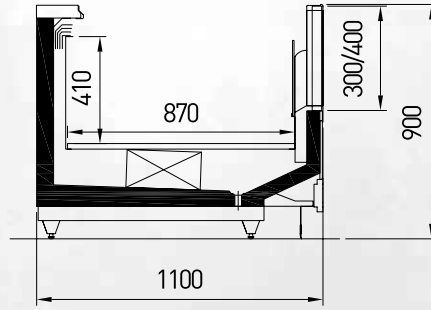


SIRIUS C



SIRIUS D



SIRIUS

Length (mm)

2500

3750

C

◆

◆

D 300 / 400

◆

◆

Side wall thickness (mm)

50

Temperature

L1 (-15 / -18 °C); L2 (-12 / -18 °C)