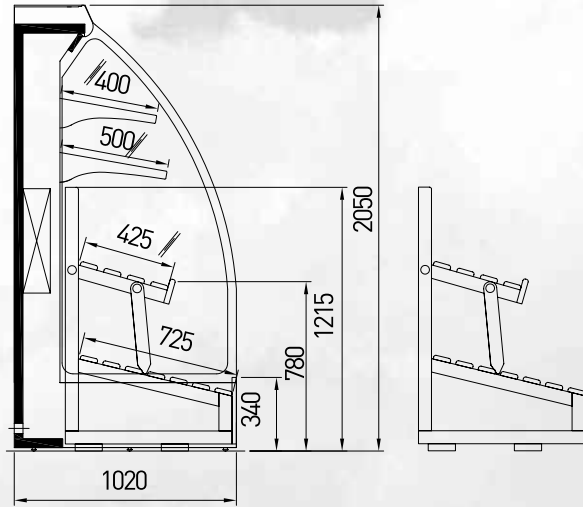


GRUS



GRUS

Side wall thickness (mm)

Temperature

Length (mm)

2500

3750

50

H1 (+1 / +10°C)